

The Green Roof Bluebird Nest Box

Bluebird Houses are best placed on posts in open areas with short grass and a few trees. Keep them away from: farm buildings and houses, where starlings and house sparrows are common; brushy hedges, where house wrens will take over; and pasture fences, where livestock enjoy rubbing against the boxes.

The best bluebird nest sites are houses 100 yards apart on metal posts or pipes, 5 feet tall. Metal posts or stop sign poles offer the best protection against snakes, cats, and other varmints; on wooden posts, nail tin or aluminum sheets around the posts, covering 3 to 4 feet of the post below the nest box.

Good habitat is important for bluebird nest boxes. If your house is used by other birds, move the box. If the box is used by tree sparrows, place two boxes 15' apart. Sometimes bluebirds and tree swallows will nest as neighbors. Avoid placing bluebird nest boxes in woods or fastening them to trees where squirrels are likely to chew out the hole and take over the box.

Bluebirds build a new nest for each brood, and they nest two or even three times per season. Cleaning out the old nest before they start the new one will prevent their building on top of the old nest, which raises the eggs so high in the box that they become vulnerable to marauders.

The 1½" entrance hole keeps out starlings (but 3/16" smaller and the bluebirds cannot get in); ventilation holes and the slot above the entrance, plus the plants on top prevent overheating; the box depth and roof overhang keep birds safe from predators; the recessed floor keeps the box dry.



The green roof protects the house from rain and assists in the cooling of the interior.

Side panel opens to allow cleaning of house between nestings. Sits on surface.

The side vent holes and front slot are also part of the air circulation system which cools the inside temperature.



Mount the box on a metal fence post, pipe, or sign pole with metal brackets or two bolts.

Building Your Green Roof Bluebird Nest Box

Bluebird Nest Box design by: Richard E. Gies

Materials

Any wood can be used, but $\frac{3}{4}$ " white pine is easy to obtain. Do not use particle board or plywood; do not paint/finish.

For each house:

$\frac{3}{4}$ " thick:

36" - 1 x 6" pine, trim to 5"

44" - 1 x 8" pine, trim for front, back and top

$\frac{5}{8}$ " thick:

20" - 1 x 8" pine, resaw and trim to 3 $\frac{1}{2}$ "

16 - 7 penny (7d) galvanized box nails

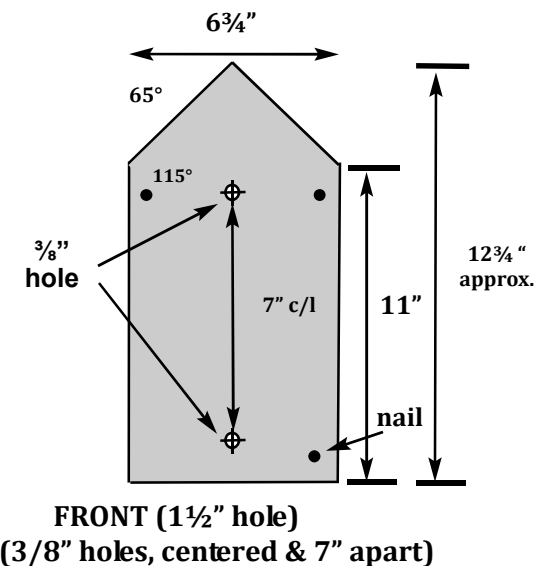
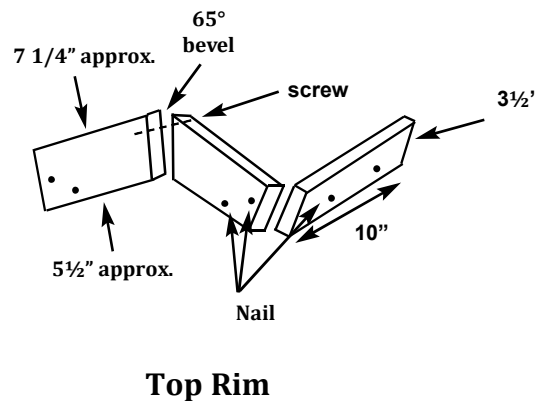
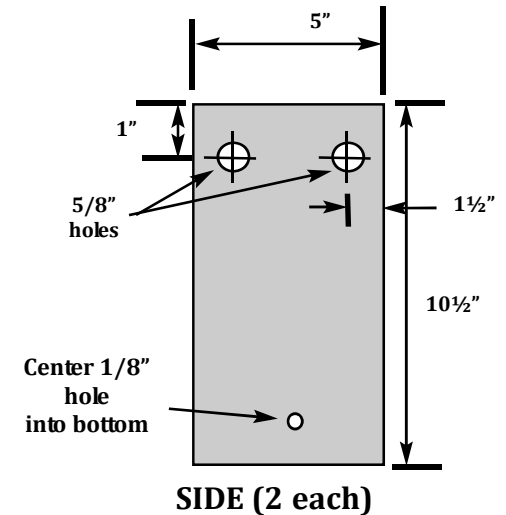
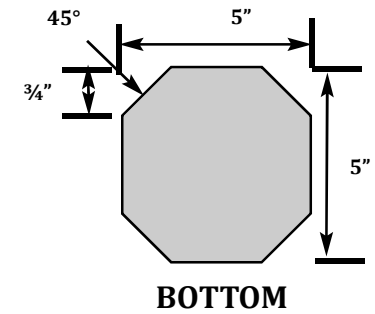
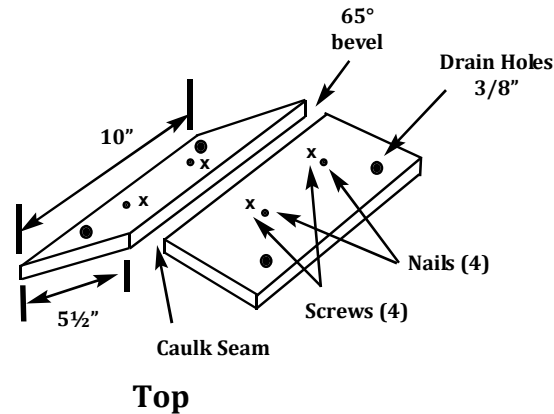
(or 16 - 2" decking screws may be used)

1 - 1 $\frac{1}{4}$ " brass wood screw, or 2" deck screw

1 - 12" x 12" piece of roofing paper.

Assembling

1. Nail side pieces to back. Sides should be nailed flush. Bottom of each side should align with bottom of back, leaving excess of back panel on bottom. Do not nail bottom of door.
2. Nail bottom of birdhouse, recessing it $\frac{1}{2}$ " from bottom of side pieces.
3. Attach front of birdhouse with two nails flush with top of sides. One nail at bottom, opposite from door. Leave a $\frac{1}{2}$ " gap at top of front for ventilation.
4. Nail on roof, leaving approx. 1 $\frac{1}{2}$ " overhang on all sides.
5. Attach Top Rim, starting with a 10" length on each side. Then, fit front and back pieces (4). Use 2 nails on each piece. Screw angled pieces, as noted on plan.
6. Cover inside of roof with roofing paper. This gives plants something to grow into
5. Cut deep scratches, in a criss-cross pattern, on the inside of the panel with the bird hole. This enables young birds to climb to entrance hole and emerge.



FRONT (1 $\frac{1}{2}$ " hole)
BACK (3/8" holes, centered & 7" apart)